



WD Series

Tag: _____

Grease Interceptor

SPECIFICATION: Watts Drainage Products WD Series epoxy coated inside and outside fabricated steel grease interceptor with flow rating of 4 to 75 GPM and grease capacity of 8 to 150 lbs. Unit shall include one piece removable baffle assembly, code approved deep seal trap, secured and gasketed non slip cover, NH (MJ) (standard) inlet and outlet and internal flow control.



Ex. WD-104-T-FC

| Pipe Sizing (Select One) | | |
|--------------------------|-------------|--------------------------|
| Suffix | Description | |
| 104 | 4 GPM | <input type="checkbox"/> |
| 107 | 7 GPM | <input type="checkbox"/> |
| 110 | 10 GPM | <input type="checkbox"/> |
| 115 | 15 GPM | <input type="checkbox"/> |
| 120 | 20 GPM | <input type="checkbox"/> |
| 125 | 25 GPM | <input type="checkbox"/> |
| 135 | 35 GPM | <input type="checkbox"/> |
| 150 | 50 GPM | <input type="checkbox"/> |
| 175 | 75 GPM | <input type="checkbox"/> |

| Inlet/Outlet Type (Select One) | | |
|--------------------------------|----------------------|--------------------------|
| Suffix | Description | |
| NH | No Hub (MJ) | <input type="checkbox"/> |
| P | Push On | <input type="checkbox"/> |
| T | Threaded Connections | <input type="checkbox"/> |
| X | Inside Caulk | <input type="checkbox"/> |

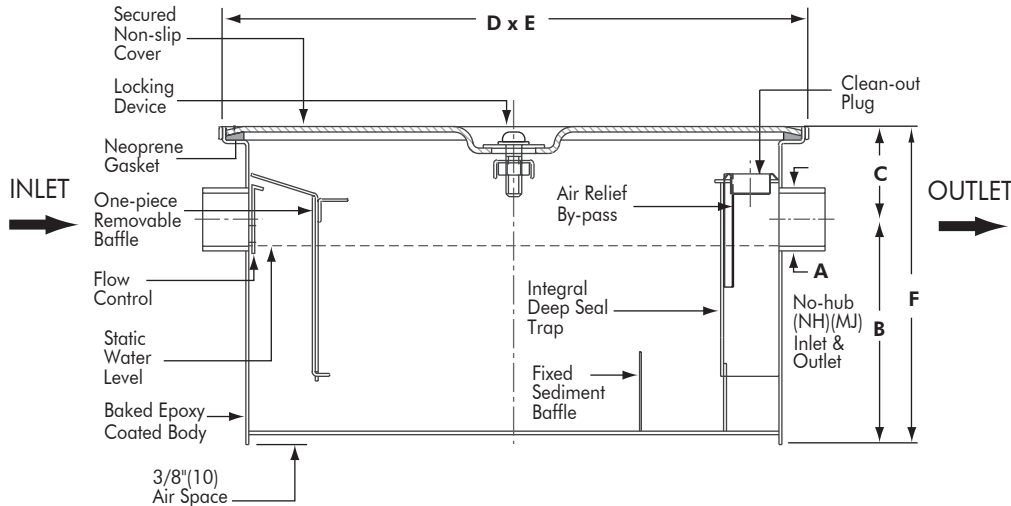
| Options (Select One or More) | | |
|------------------------------|---|--------------------------|
| Suffix | Description | |
| -B | Sediment Bucket | <input type="checkbox"/> |
| -DI | Dual Inlet | <input type="checkbox"/> |
| -E | Extension* (Integral) | <input type="checkbox"/> |
| -EB | Extension* (Bolt-on) | <input type="checkbox"/> |
| -F | Flange | <input type="checkbox"/> |
| -FC | Flange & Clamp Device | <input type="checkbox"/> |
| -HDC | Heavy Duty Cover | <input type="checkbox"/> |
| -O | Inlet & Outlet other than Standard Size | <input type="checkbox"/> |
| -SS | Stainless Steel | <input type="checkbox"/> |
| -MEFC | MJ External Flow Control | <input type="checkbox"/> |
| -TEFC | Threaded External Flow Control | <input type="checkbox"/> |
| -PDI-MEFC | PDI Label** with MJ External Flow Control | <input type="checkbox"/> |
| -PDI-TEFC | PDI Label** with Threaded External Flow Control | <input type="checkbox"/> |

* For Overall "C" Dimension of 18", Order Integral Extension "-E18" or Bolt-on Extension "-EB12"

** PDI Certified Units Include External Flow Control. Note: Series WD-175 Not Yet Tested.

| Optional Inlet/Outlet Sizes (When -O is selected above) | | |
|---|-------------------------|--------------------------|
| Suffix | Description | |
| -2 | 2"(51) Inlet/Outlet | <input type="checkbox"/> |
| -3 | 3"(76) Inlet/Outlet | <input type="checkbox"/> |
| -4 | 4"(102) Inlet/Outlet | <input type="checkbox"/> |
| -6 | 6"(152) Inlet/Outlet*** | <input type="checkbox"/> |

***Threaded Outlet or MEFC/TEFC External Flow Control Not Available



| Interceptor Catalog Number | Grease Capacity Lbs | A | B | C | D | E | F |
|----------------------------|---------------------|----------------|----------------|---------------|--------------|--------------|--------------|
| | | Inlet & Outlet | Base to Center | Top to Center | Length | Width | Height |
| WD-104 | 8 | 2"(51) | 7-3/4"(197) | 6"(152) | 16"(406) | 10"(254) | 13-3/4"(349) |
| WD-107 | 14 | 2"(51) | 8-1/2"(216) | 6"(152) | 18"(457) | 13"(330) | 14-1/2"(368) |
| WD-110 | 20 | 2"(51) | 8-1/2"(216) | 6"(152) | 21-3/4"(552) | 14"(356) | 14-1/2"(368) |
| WD-115 | 30 | 2"(51) | 10-1/2"(267) | 6"(152) | 22"(559) | 15"(381) | 16-1/2"(419) |
| WD-120 | 40 | 3"(76) | 11-1/2"(192) | 6"(152) | 24"(610) | 15-3/4"(400) | 17-1/2"(445) |
| WD-125 | 50 | 3"(76) | 12"(305) | 6"(152) | 26"(660) | 16-1/2"(419) | 18"(457) |
| WD-135 | 70 | 4"(102) | 14"(356) | 6"(152) | 30"(762) | 18"(457) | 20"(508) |
| WD-150 | 100 | 4"(102) | 16"(406) | 6"(152) | 32"(813) | 22"(559) | 22"(559) |
| WD-175 | 150 | 4"(102) | 18-1/2"(470) | 6"(152) | 36"(914) | 24"(610) | 24-1/2"(622) |

Job Name _____ Contractor _____

Job Location _____ Contractor's P.O. No. _____

Engineer _____ Representative _____

WATTS Drainage reserves the right to modify or change product design or construction without prior notice and without incurring any obligation to make similar changes and modifications to products previously or subsequently sold. See your WATTS Drainage representative for any clarification. Dimensions are subject to manufacturing tolerances.



CANADA: 5435 North Service Road, Burlington, ON, L7L 5H7 TEL: 905-332-6718 TOLL-FREE: 1-888-208-8927 Website: www.wattsdrainage.ca

