



XLT Series True Union Ball Valve

Ontario Industrial Supply is pleased to offer the XL Line™ True Union Ball Valve.

This valve brings quality together with low pricing for light industrial applications. The Type XLT PVC True Union Ball Valve offers high end valve features at low end prices. This union body valve makes in-line installation and maintenance fast and convenient.



Features:

True Union Design

- Installation and maintenance is fast and inexpensive
- Valves may be rotated 360o to position handle

Double Stem O-Rings

- Reduces the possibility of stem leakage

Teflon® Seats

- Provide better sealing and longer life other common materials

Full Port

- Low pressure losses

Fully Blocking

- Downstream union nut may be safely disassembled for piping maintenance while valve is closed off under full system pressure

"Combo" Ends Available

- Some Valves may be ordered with both threaded and socket ends in the box

Other Products available:

- PVC SCH 40 & 80 Grey Pipe and Fittings
- CPVC SCH 80 Pipe and Fittings
- PP SCH 80 Pipe and Fittings
- PVC & CPVC Butterfly, Ball and Diaphragm Valves
- PVC and CPVC Pipeline Strainers
- EPDM Molded Flange Gaskets
- PVC & CPVC Solvent Cements and Primers

Contact us for all your plastic piping requirements

Ontario Industrial Supply

2114 Woodglen Crescent
Burlington, Ontario
L7L 6G7

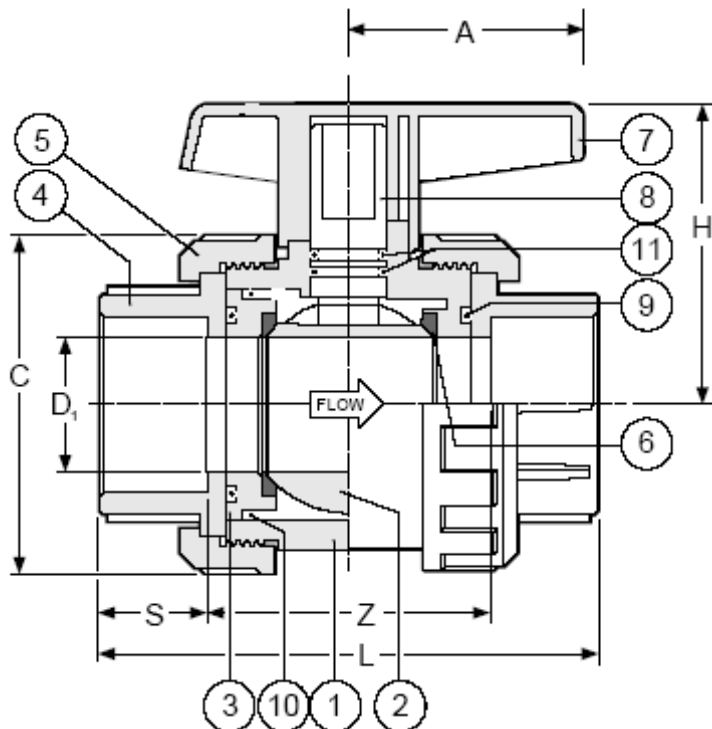
Phone: 905-330-3901
Fax: 905-335-7060

Website: www.ontarioindustrialsupply.com

Email: sales@ontarioindustrialsupply.com

XLT True Union Ball Valves

XL LINE™



PARTS

▲ Recommended Spare Parts

No.	Part	Pcs.	Materials
1	Body	1	PVC†
2	Ball	1	PVC
3	Seat Carrier	1	PVC
4	End Connector	2	PVC
5	Union Nut	2	PVC
6▲	Ball Seat	2	Teflon® PTFE
7	Handle	1	PVC
8	Stem	1	PVC
9▲	Face O-Ring	2	EPDM, Viton
10▲	Carrier O-Ring	2	EPDM, Viton
11▲	Stem O-Ring	2	EPDM, Viton

†All PVC is Type I Grade 1 material as per ASTM D-1784.

NET WEIGHTS LB. Cv VALUES

Size	Socket Valves	USGPM@1 psi Pressure Drop
1/2"	0.29	15
3/4"	0.45	21
1"	0.66	55
1-1/4"	0.96	81
1-1/2"	1.47	126
2"	2.48	245
2-1/2"	4.60	364
3"	7.28	490
4"	13.04	700

DIMENSIONS INCHES

Size	A		C		L _S		L _T		L _F		S		Laying Length		
	Socket	Thd	Socket	Thd	Socket	Thd	Flanged	Socket	Z	0-25°C	40°C	60°C	32-77°F	104°F	140°F
1/2"	1.42	1.97	0.57	2.01	3.66	3.15	5.78	0.89	1.89	150	150	25	150	150	25
3/4"	1.54	2.32	0.78	2.28	4.09	3.58	6.72	1.00	2.09	150	150	25	150	150	25
1"	1.77	2.68	0.98	2.56	4.54	4.02	7.31	1.13	2.28	150	150	25	150	150	25
1-1/4"	2.01	3.15	1.25	2.99	5.20	4.57	8.12	1.26	2.68	150	150	25	150	150	25
1-1/2"	2.24	3.70	1.57	3.46	5.83	4.96	9.30	1.38	3.07	150	150	25	150	150	25
2"	2.60	4.53	1.97	4.06	6.67	5.87	10.44	1.50	3.66	150	150	25	150	150	25
2-1/2"	3.07	5.71	2.56	4.88	8.15	7.24	12.32	1.75	4.65	150	85	15	150	85	15
3"	3.31	6.61	2.82	5.39	9.53	8.35	13.65	2.01	5.51	150	85	15	150	85	15
4"	3.78	8.27	3.76	6.38	11.10	9.61	16.37	2.40	6.30	150	85	15	150	85	15

WORKING PRESSURES PSI

Maximum Temperature: 60°C (140°F).

ORDERING EXAMPLE

XL Line™ Type XLT PVC True Union Ball Valve		XLT	020	E	S
Size	005 - 1/2"	007 - 3/4"	010 - 1"	012 - 1-1/4"	
	015 - 1-1/2"	020 - 2"	025 - 2-1/2"	030 - 3"	040 - 4"
Seals	E - EPDM V - Viton				
Ends	S - Socket T - Threaded C - Combo**				

Example: XL Line™ Type XLT PVC True Union Ball Valve, 2", with EPDM O-rings, socket ends.
**Socket valve supplied with extra threaded ends.

VACUUM RATING

● 29.9 inches mercury (Full Vacuum)

Phone: 905-330-3901
Fax: 905-335-7060

Website: www.ontarioindustrialsupply.com

Email: sales@ontarioindustrialsupply.com